



Lun

Install Guide



Disclaimer :

Installation, inspection, and maintenance should be performed by qualified electricians to mitigate risks of fire or electrical shock.





Inspect Contents

NÖRSKA



Fixture Assembly



2x Machine Screw

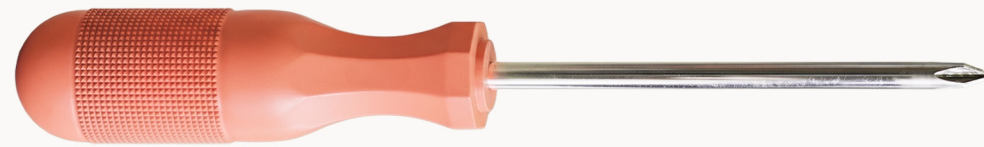


3x Wire Connector



Terminology & Tools Required

NÖRSKA



Phillip Screw Driver
(Not Included)



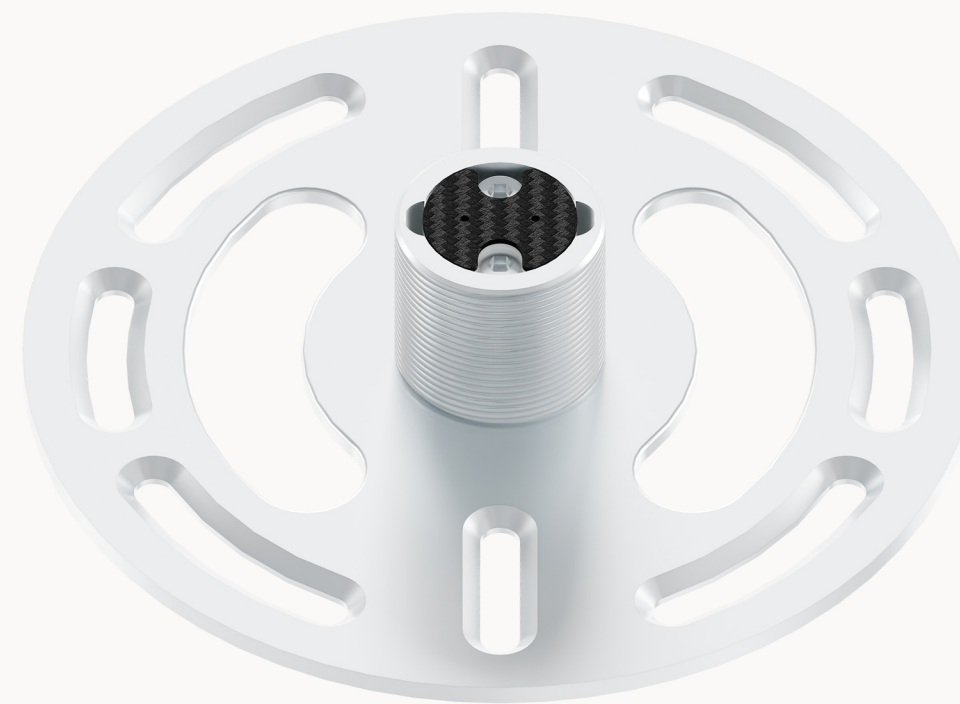
Globe
(Included)



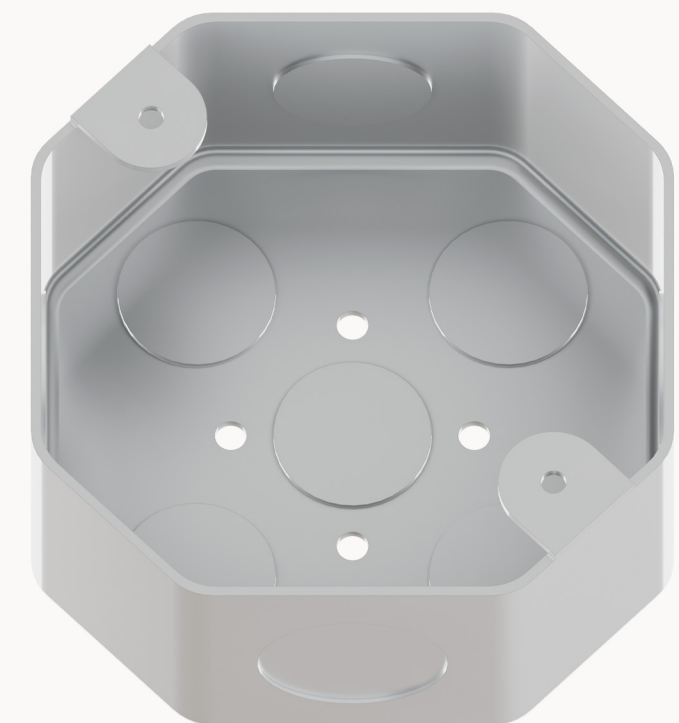
Light Bulb
(Included)



Canopy
(Included)



Crossbar
(Included)



Junction Box
(Not Included)



Step 1

NÖRSKA

Unscrew the globe and canopy from the crossbar.

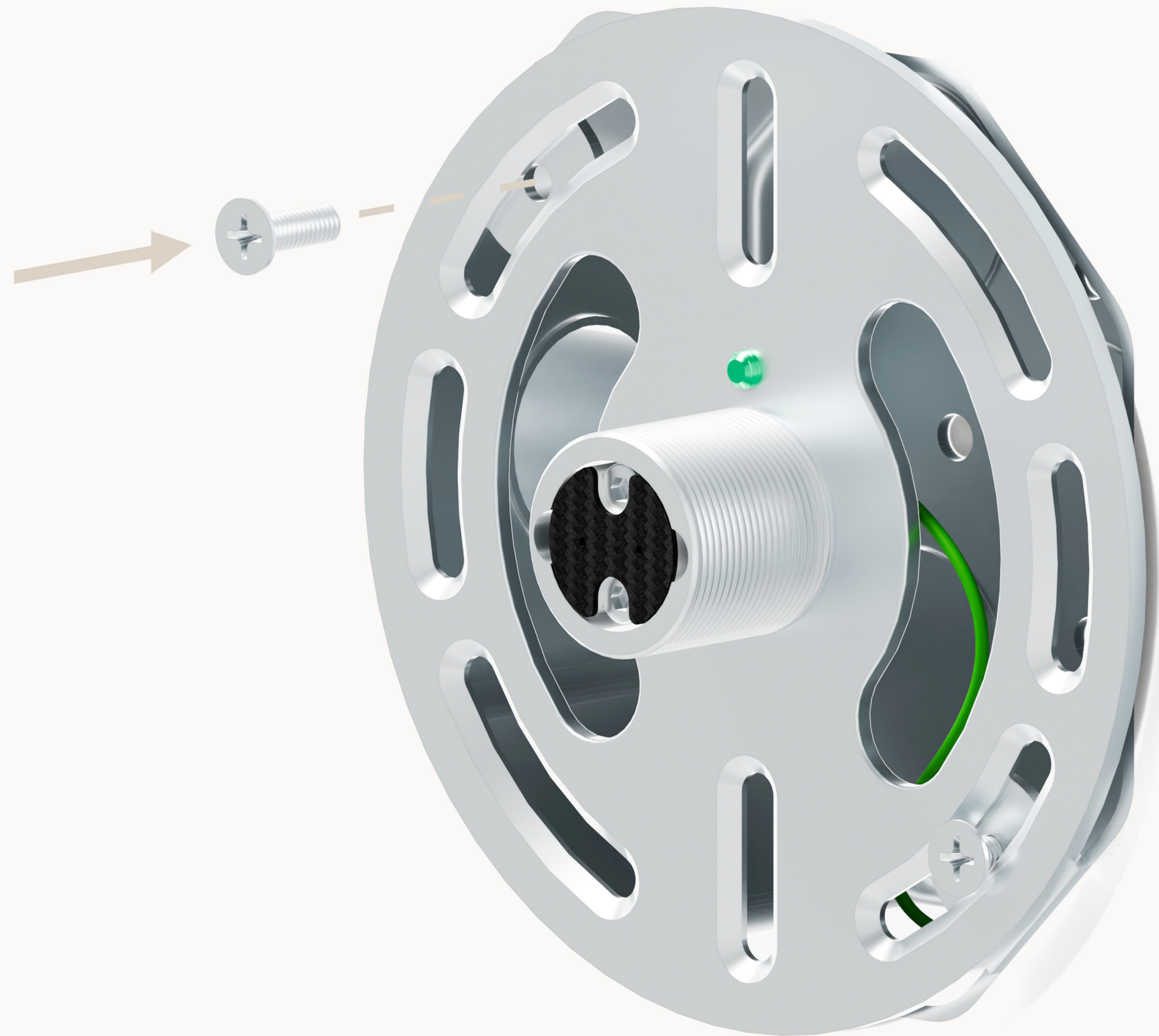




Step 2

NÖRSKA

Secure the fixture crossbar to the junction box using the provided machine screws.





Step 3

NÖRSKA

Connect the fixture wires to the junction box wires using the provided WAGO connectors or UL-listed wire nuts.

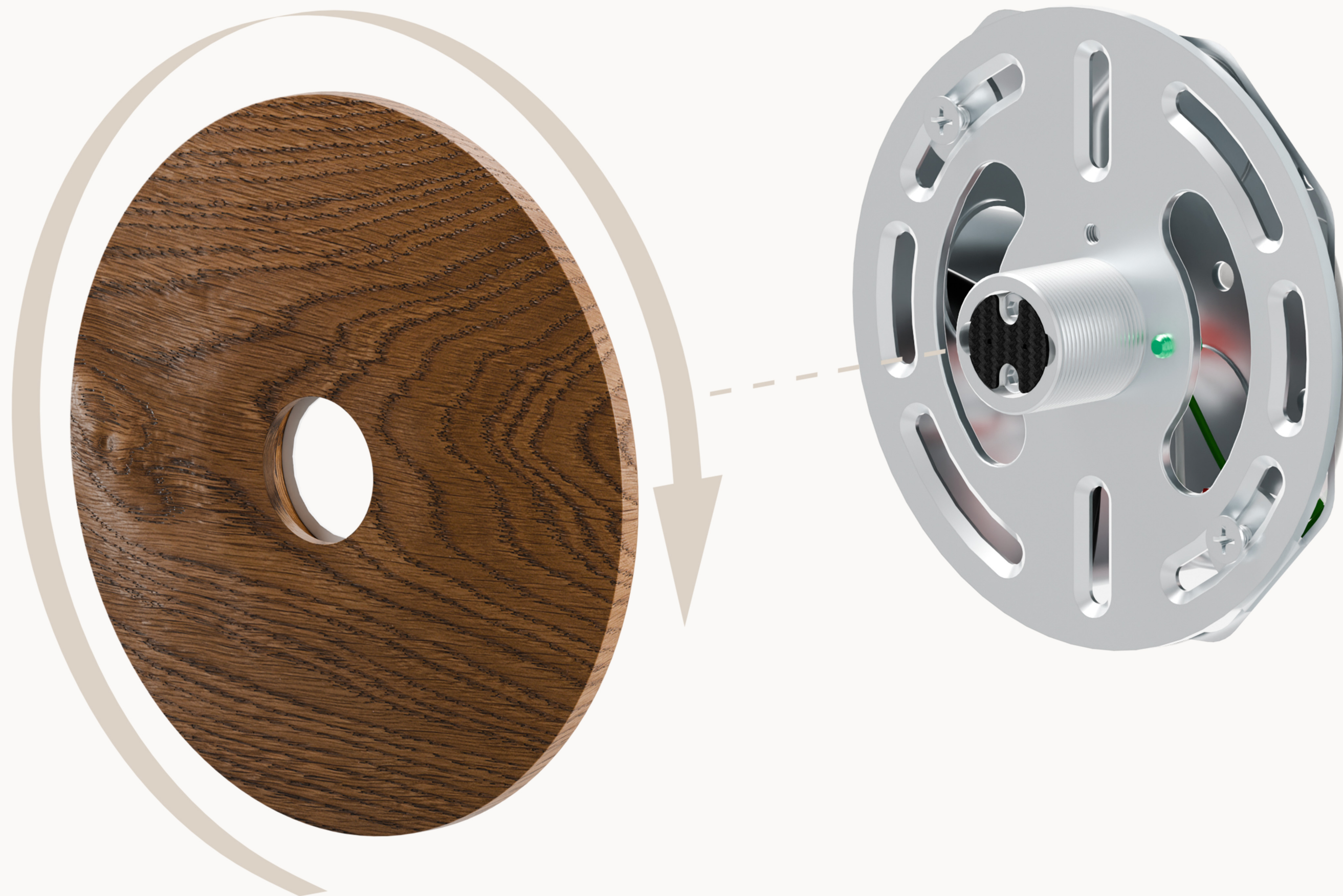




Step 4

NÖRSKA

Carefully screw the wooden canopy onto the socket sleeve, covering the junction box and wiring. Ensure the canopy sits flush against the ceiling or wall surface.





Step 5

NÖRSKA

Gently install the Bi-Pin bulb into the fixture socket.

Note : Align the Bi-Pin legs properly with the socket holes and press in evenly to avoid damaging the pins or socket.





Step 6

NÖRSKA

Align the glass threads with the socket cover threads and rotate slowly until secure.

Note : Avoid cross-threading. Do not overtighten, as this may damage the glass or the fixture.

