



Aura Pendant

Install Guide



Disclaimer :

Installation, inspection, and maintenance should be performed by qualified electricians to mitigate risks of fire or electrical shock.





Inspect Contents

NÖRSKA



Canopy Assembly



Fixture Assembly



2x Anchor Screw



2x Drywall Anchor



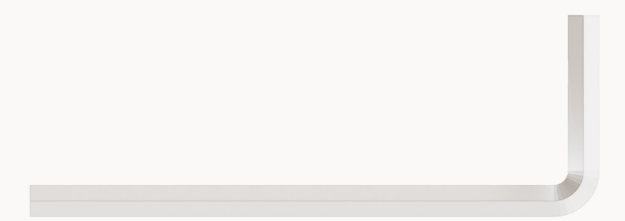
4x Set Screw



2x Machine Screw



3x Wire Connector



1x 2mm Allen Key



Terminology & Tools Required

NÖRSKA



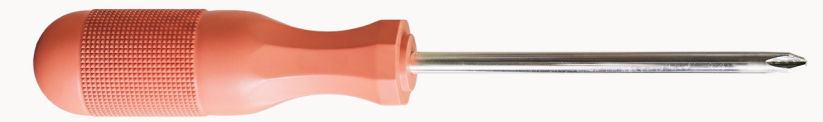
Drill
(Not Included)



6mm / 0.25" Drill Bit
(Not Included)



Barrel
(Included)



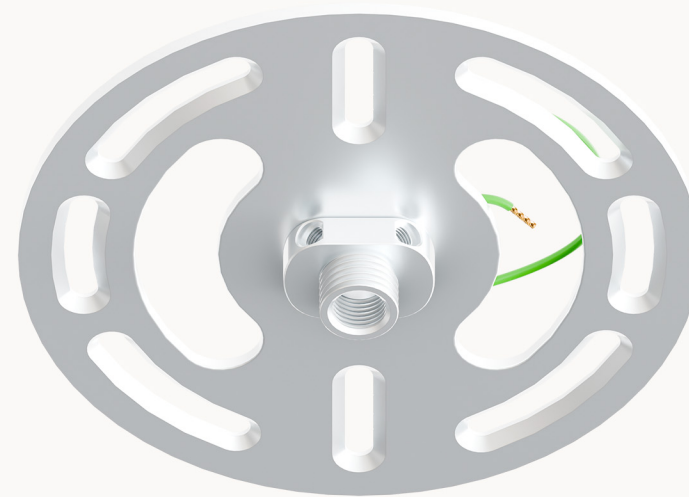
Phillip Screw Driver
(Not Included)



Light Bulb
(Included)



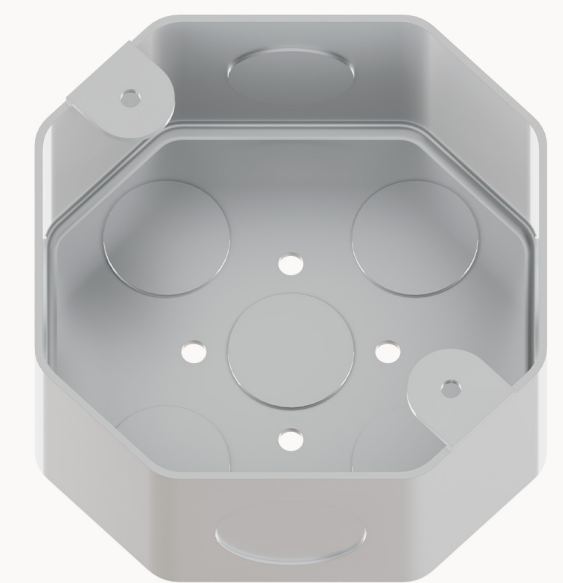
Globe
(Included)



Crossbar with Strain Relief
(Included)



Canopy
(Included)



Junction Box
(Not Included)



Step 1

NÖRSKA

Carefully unscrew the globe from the fixture socket.





Step 2

NÖRSKA

Unscrew the barrel from the crossbar. Then, remove the barrel and canopy from the crossbar.





Step 3

NÖRSKA

Slide the barrel followed by the canopy onto the suspension cord.

Note : Ensure proper orientation of both the barrel and canopy.





Step 4

NÖRSKA

Set the desired hanging height by measuring from the junction box to the bottom of the fixture.





Step 5

NÖRSKA

Thread the suspension cord through the crossbar. Then, secure the cord at the desired hanging height using the four set screws.

Note : Ensure proper orientation of the crossbar, with the strain relief pointing down.

Caution : Do not overtighten the set screws, as damage to the cord can occur.





Step 6

NÖRSKA

Trim the mesh cord to 1/2" above the crossbar. Then, trim the internal conductors to 8" beyond the crossbar.

Note : Open the mesh cord at the seam using needle nose pliers. Cut the mesh to length with diagonal cutting pliers, then press the mesh back into shape around the internal conductors.

Caution : Do not damage the internal conductors when trimming the cord.





Step 7

NÖRSKA

Mount the crossbar to the junction box using the provided machine screws.

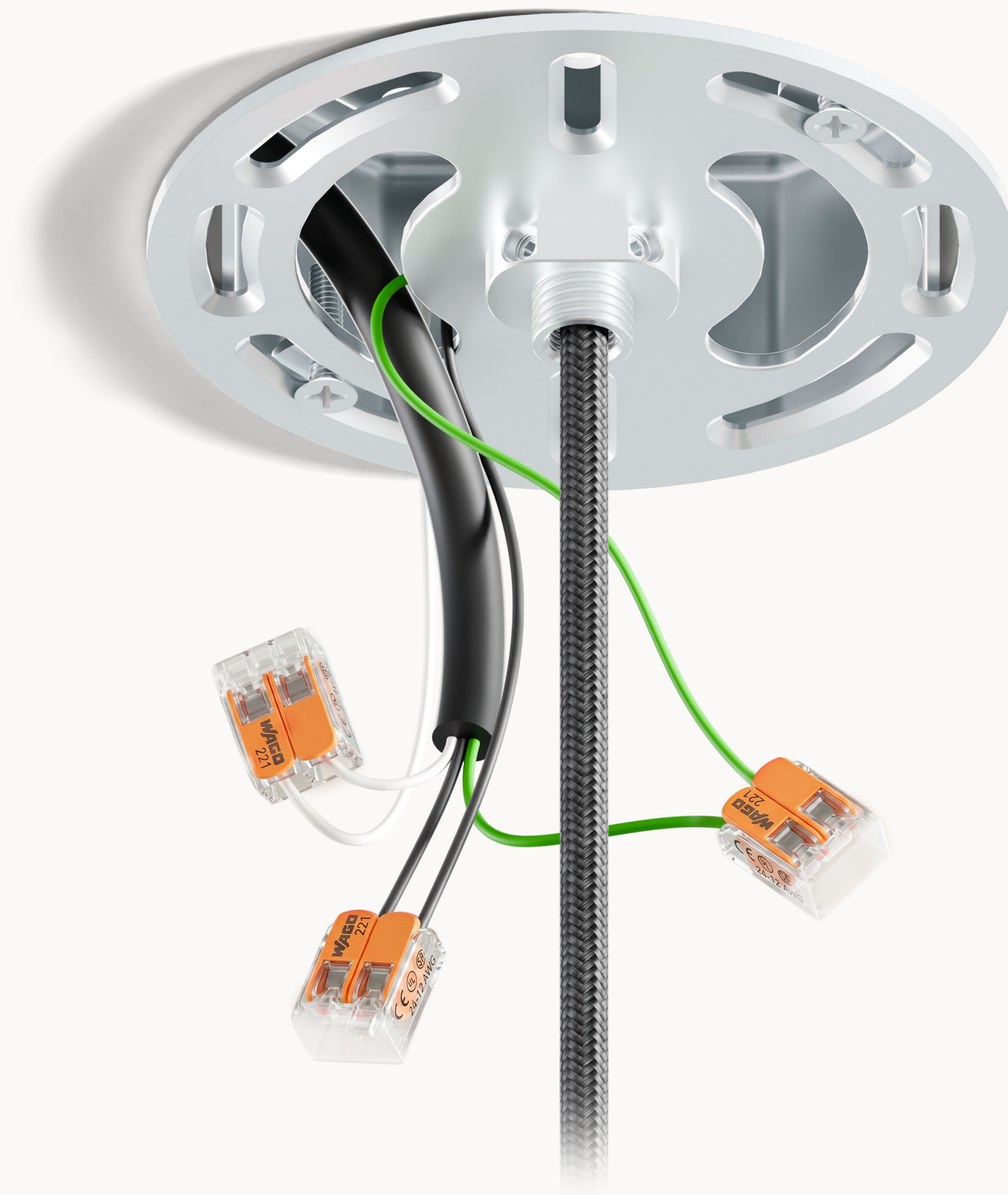




Step 8

NÖRSKA

Connect the fixture ground wire to the ground wire from the junction box. Then, connect the remaining fixture wires to the corresponding wires from the junction box using provided wire connectors. Carefully tuck all wires into the junction box.





Step 9

NÖRSKA

Slide the canopy and barrel up the suspension cord. Then, thread the barrel onto the crossbar strain relief to secure the canopy in place.





Step 10

NÖRSKA

Install the provided G8 bulb into the fixture socket.

Caution : Align the two bi-pins properly before applying force to avoid damage to the bulb.





Step 11

NÖRSKA

Align the threads and screw the globe onto the socket sleeve over the bulb.

Caution: Ensure the threads are properly aligned before tightening to avoid cross-threading and damage.

