



AURA 10-3

CEI - 002

CUT SHEET

Revision number : #2
Revision date : 15 May 2026





Description

Aura 10-3 pairs a 10" crafted solid-hardwood shade with a 3" diffused globe, casting a soft wash of light across the textured underside. A subtle metal detail connects the shade to the upper cap, adding a refined architectural accent.

Product Specifications

Wood Finishes

Available in All Standard Wood Finishes

Metal Finishes

Available in All Standard Metal Finishes

Glass Finishes

Available in All Standard Glass Finishes

Cord Finishes

Available in All Standard Cord Finishes

Textures

Available in All Standard Textures

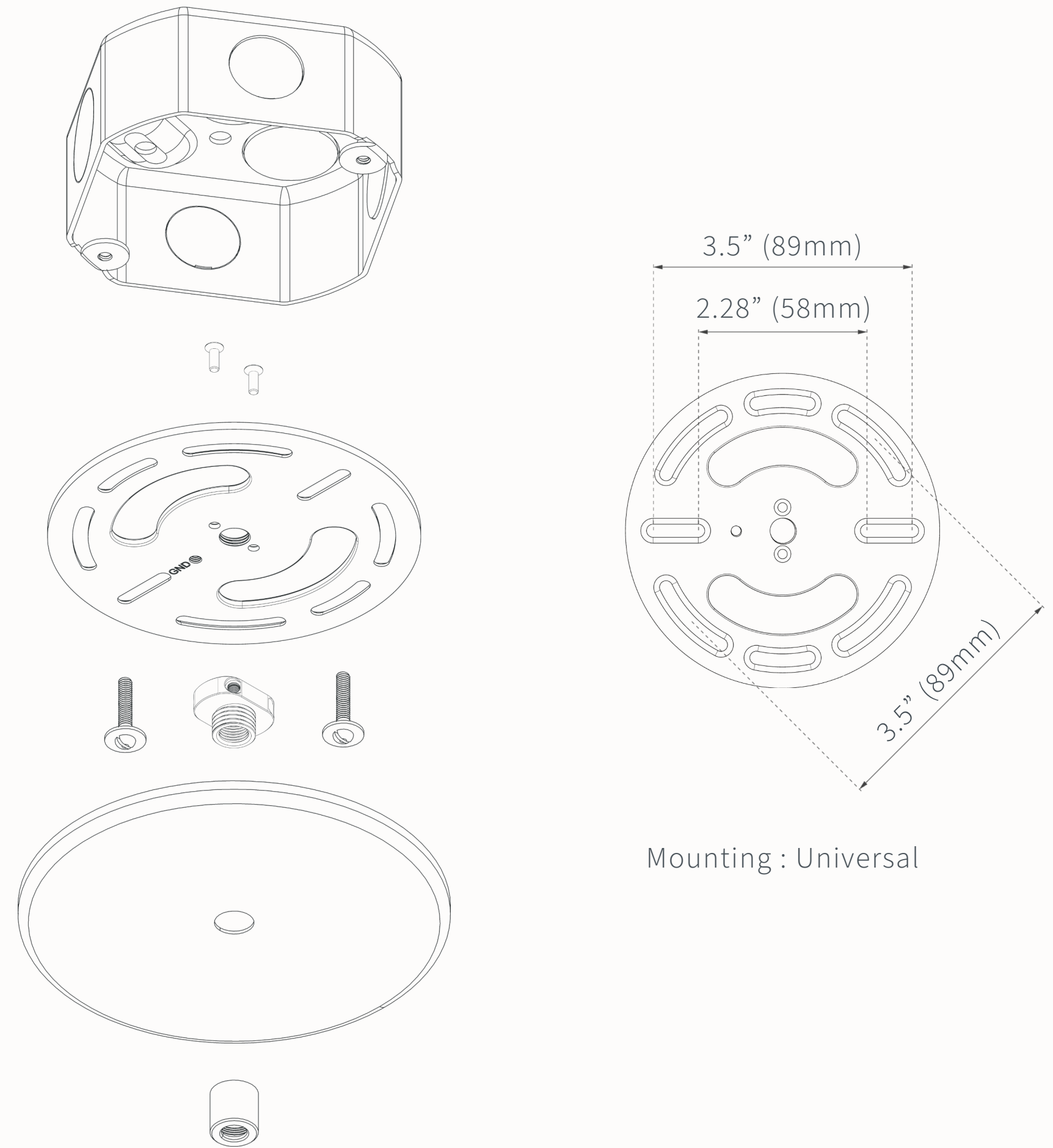
Cord Length

Specified cord length is the distance from ceiling to desired bottom of fixture. Cords are supplied with additional length for installer trimming and final adjustment on-site.

Material Disclaimer

Due to the natural characteristics of solid hardwood, grain and tone variation will occur. Each fixture is unique.

Canopy Hardware Diagram

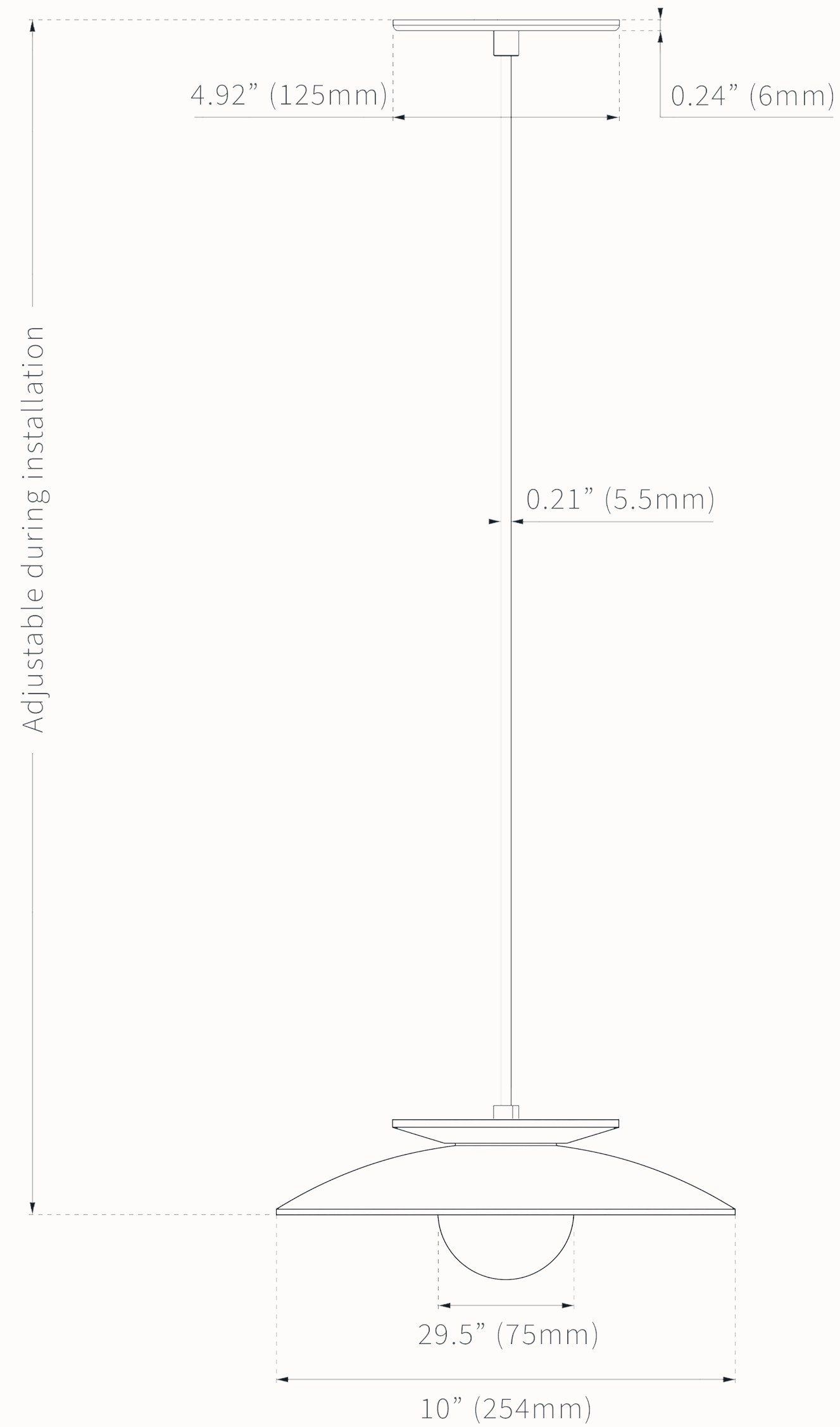




AURA 10-3

CEI - 002

Dimensional Drawing





AURA 10-3

CEI - 002

Electrical

Lamping G8 Bi-Pin Base, Type T Lamp	Bulb Included (120V USA) Emery Allen 4.5W G8 Bulb	Lumen Output 450 Lumens
Lamp Quantity 1	Bulb Included (240V EU) Emery Allen 4.5W G8 240V Bulb	Color Temperature 2700K, 3000K
Dimming Dimmable with most incandescent and LED dimmers		

Electrical Notes

Fixture to be installed by a qualified electrician in accordance with local electrical code.

Performance Table

Size	Max Wattage	Delivered Lumens	Weight
10" (25.4cm)	6W	450-600 Lumen (Bulb Dependent)	1.16KG / 2.56LB

Compliance & Certifications

Dry / Damp Locations, cULus Certified





Ordering Information

SKU Structure

CEI - 002 - CCC - DDD - EEE - FFF - GGG - HHH - III - JJJ - KKK

Options per Category

CANOPY FINISH - CCC

- Black Anodized Aluminum

B	L	K
---	---	---
- Architectural White

W	H	T
---	---	---
- Brushed Stainless Steel

B	S	S
---	---	---
- Matched Wood Finish

M	W	F
---	---	---

TEXTURE - DDD

- Naguri Mark

N	G	M
---	---	---
- Naguri Line

N	G	L
---	---	---
- Dune

D	U	N
---	---	---
- Dotta

D	O	T
---	---	---

WOOD FINISH - EEE

- Bleached Ash

B	A	S
---	---	---
- Bleached White Oak

B	W	O
---	---	---
- Maple

M	A	P
---	---	---
- Ash

A	S	H
---	---	---
- White Oak

W	H	O
---	---	---
- Cherry

C	H	E
---	---	---
- Walnut

W	A	L
---	---	---
- Flame Blackened White Oak

F	B	W
---	---	---
- Blackened Ash

B	L	A
---	---	---

METAL FINISH - FFF

- Black Anodized Aluminum

B	L	K
---	---	---
- Architectural White

W	H	T
---	---	---
- Brushed Stainless Steel

B	S	S
---	---	---
- Natural Brass

B	R	A
---	---	---

GLASS FINISH - GGG

- Opal Glass

O	P	L
---	---	---
- Clear Glass

C	L	R
---	---	---
- Frosted Glass

F	R	O
---	---	---
- Matte Glass

M	A	T
---	---	---
- Smoked Glass

S	M	K
---	---	---

CORD FINISH - HHH

- Black Cotton SVT Cord

B	K	C
---	---	---
- White Cotton SVT Cord

W	H	C
---	---	---
- Brass Mesh Cord

B	R	M
---	---	---
- Blackened Brass Mesh Cord

B	B	M
---	---	---
- Stainless Steel Mesh Cord

S	S	M
---	---	---

CORD LENGTH - III

Cord length in cm (ie 4.48" (114cm))

INPUT VOLTAGE - JJJ

- 120VAC

1	2	0
---	---	---
- 240VAC

2	4	0
---	---	---

COLOR TEMPERATURE - KKK

- 2700K

2	7	K
---	---	---
- 3000K

3	0	K
---	---	---

Example SKU

CEI - 002 - BLK - NGM - BAS - BLK - OPL - BKC - 114 - 120 - 27K

Configurator

Define fixture options and generate a complete specification SKU at NorskaUSA.com/configurator.

Custom Requests

For custom dimensions, finishes, mounting conditions, or project-specific requirements, contact Nörska Sales.