



# AURA 18-3

WAC - 004

CUT SHEET

Revision number : #2  
Revision date : 15 May 2026





# AURA 18-3

WAC - 004

## Description

Aura 18-3 pairs an 18" carved solid-wood shade with a 3" diffused globe, creating the collection's most expansive expression of atmospheric light, texture, and sculptural depth.

## Product Specifications

### Wood Finishes

Available in All Standard Wood Finishes

### Metal Finishes

Available in All Standard Metal Finishes

### Glass Finishes

Available in All Standard Glass Finishes

### Textures

Available in All Standard Textures

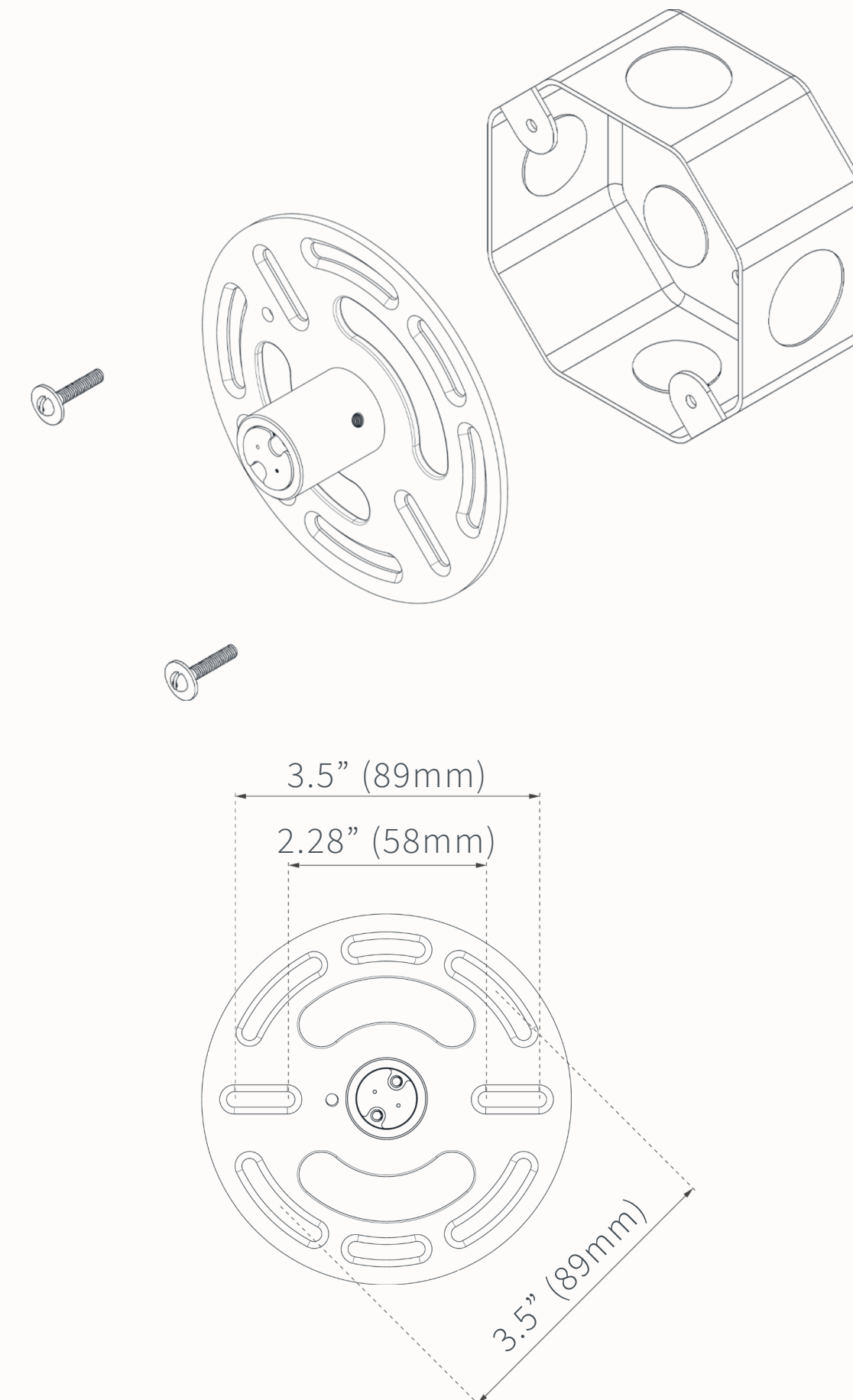
### Mounting Location

- Wall
- Ceiling

## Material Disclaimer

Due to the natural characteristics of solid hardwood, grain and tone variation will occur. Each fixture is unique.

## Mounting Hardware Diagram



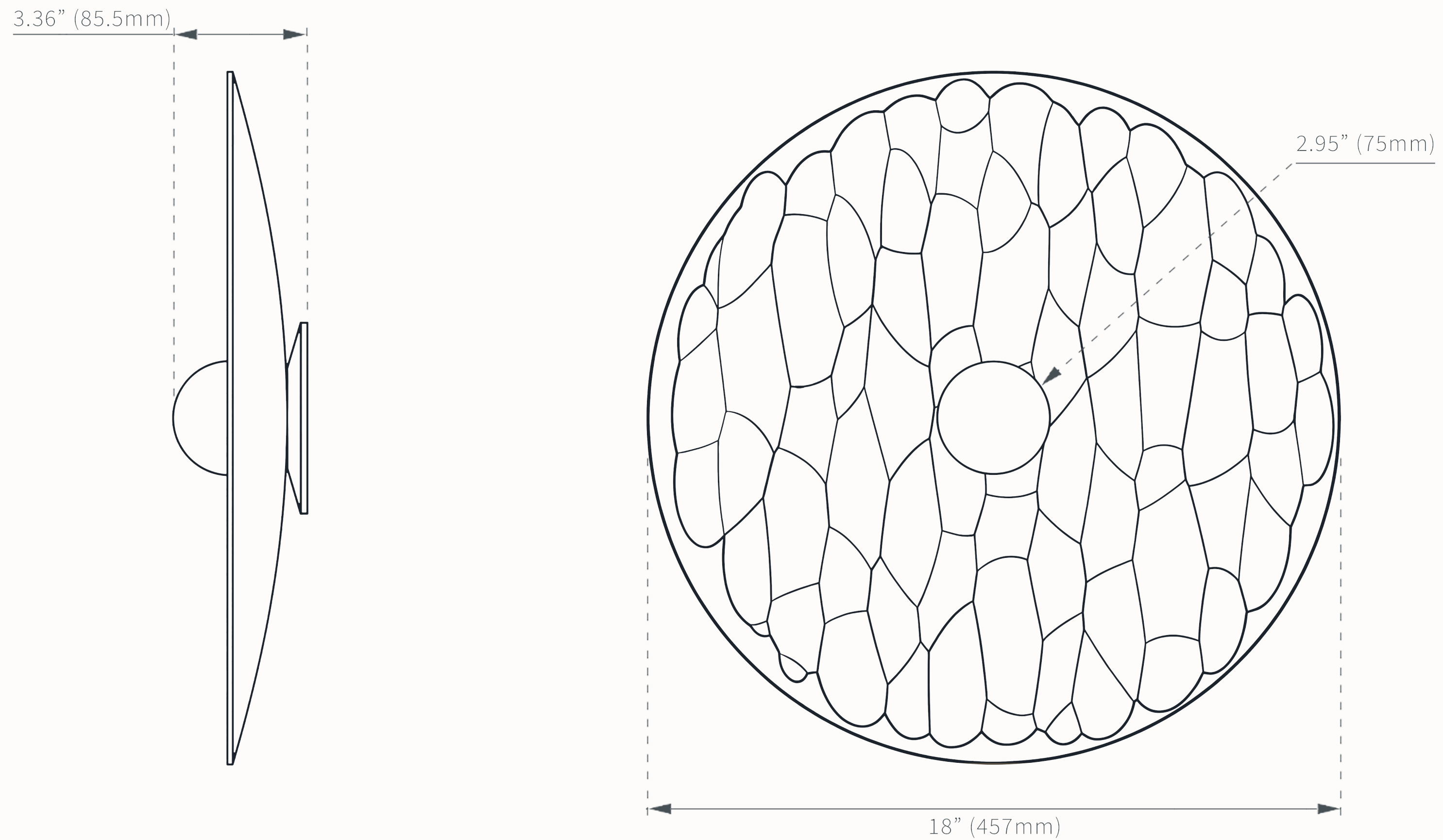
Mounting : Universal



# AURA 18-3

WAC - 004

## Dimensional Drawing





# AURA 18-3

WAC - 004

## Electrical

|   |  |  |
|---|--|--|
| <b>Lamping</b><br>G8 Bi-Pin Base,<br>Type T Lamp                  | <b>Bulb Included</b><br>(120V USA) Emery Allen<br>4.5W G8 Bulb     | <b>Lumen Output</b><br>450 Lumens        |
| <b>Lamp Quantity</b><br>1   | <b>Bulb Included</b><br>(240V EU) Emery Allen<br>4.5W G8 240V Bulb | <b>Color Temperature</b><br>2700K, 3000K |
| <b>Dimming</b><br>Dimmable with most incandescent and LED dimmers |  |  |

## Electrical Notes

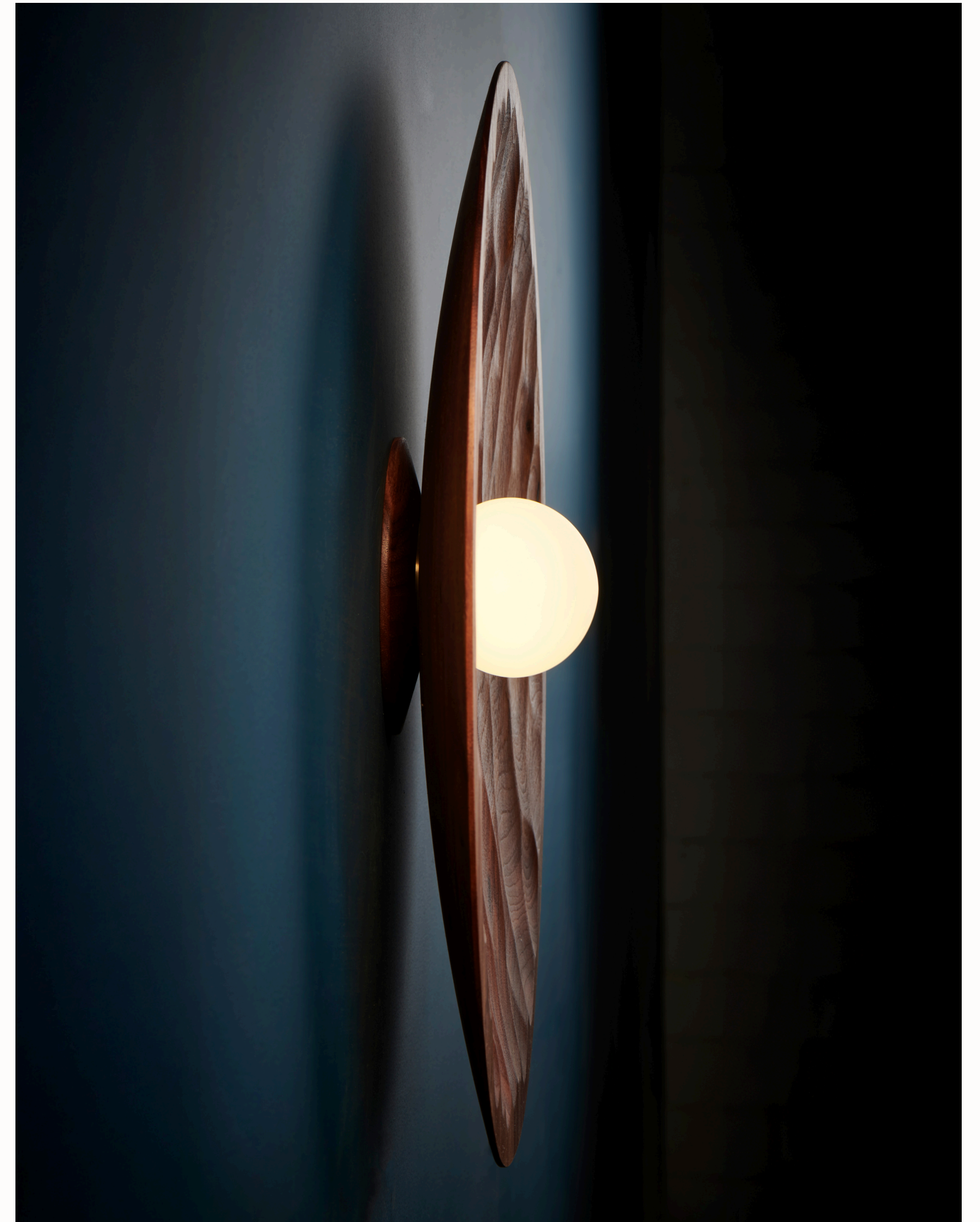
Fixture to be installed by a qualified electrician in accordance with local electrical code.

## Performance Table

| Size         | Max Wattage | Delivered Lumens                  | Weight          |
|--------------|-------------|-----------------------------------|-----------------|
| 18" (45.7cm) | 6W          | 450-600 Lumen<br>(Bulb Dependent) | 2.39KG / 5.27LB |

## Compliance & Certifications

Dry / Damp Locations, cULus Certified, ADA Compliant





## Ordering Information

### SKU Structure

WAC - 004 - 457 - DDD - EEE - FFF - GGG - HHH - III

### Options per Category

#### TEXTURE - DDD

- Naguri Mark NGM
- Naguri Line NGL
- Dune DUN
- Dotta DOT

#### WOOD FINISH - EEE

- Bleached Ash BAS
- Bleached White Oak BWO
- Maple MAP
- Ash ASH
- White Oak WHO
- Cherry CHE
- Walnut WAL
- Flame Blackened White Oak FBW
- Blackened Ash BLA

#### METAL FINISH - FFF

- Black Anodized Aluminum BLK
- Architectural White WHT
- Brushed Stainless Steel BSS
- Natural Brass BRA

#### INPUT VOLTAGE - HHH

- 120VAC 120
- 240VAC 240

#### GLASS FINISH - GGG

- Opal Glass OPL
- Clear Glass CLR
- Frosted Glass FRO
- Matte Glass MAT
- Smoked Glass SMK

#### COLOR TEMPERATURE - III

- 2700K 27K
- 3000K 30K

### Example SKU

WAC - 004 - 457 - NGM - BWO - BSS - OPL - 120 - 27K

### Configurator

Define fixture options and generate a complete specification SKU at [NorskaUSA.com/configurator](https://NorskaUSA.com/configurator).

### Custom Requests

For custom dimensions, finishes, mounting conditions, or project-specific requirements, contact Nörska Sales.